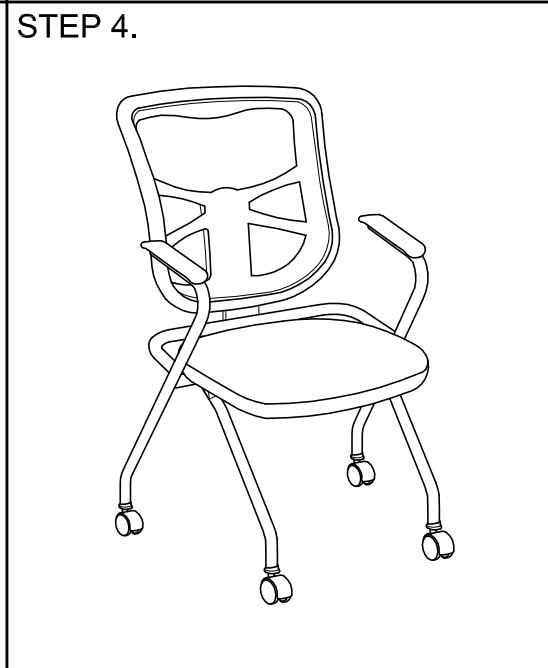
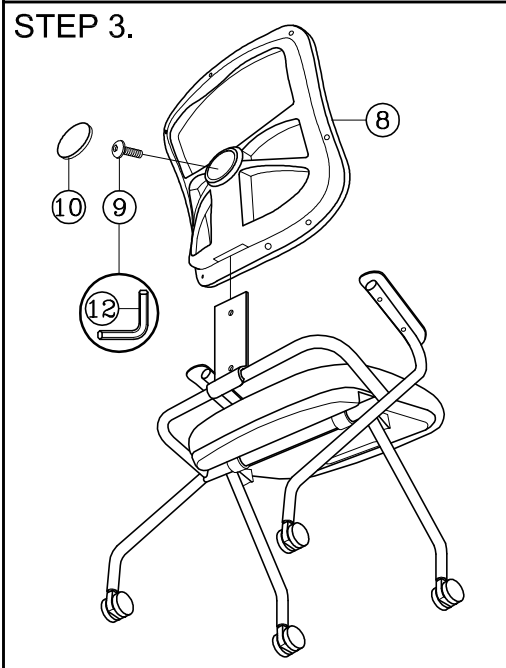
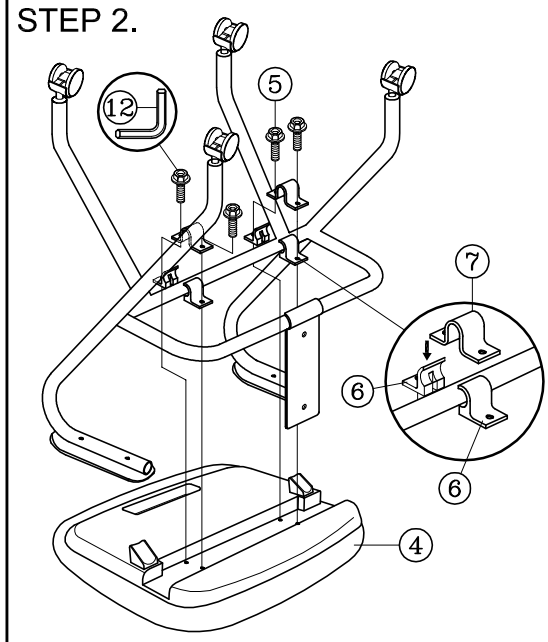
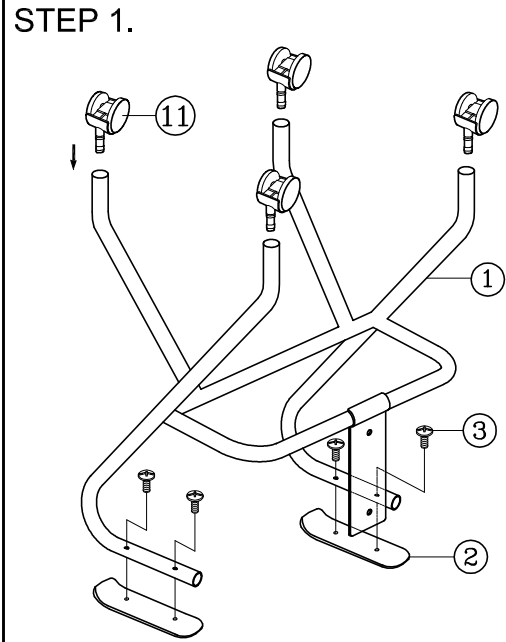


# ASSEMBLY INSTRUCTIONS



1.  Sled Base	2.  Arm Pad(2)	3.  Arm Pad Screw(4)
4.  Seat Cushion	5.  Seat Screw (4)	6.  Plastic Holder (4)
7.  Steel Holder (2)	8.  Back	9.  Holder Screw (1)
10.  Back Cover	11.  Caster(4)	12.  Allen Wrench

Model: ALE-EL4914  
 Manufactured for / Hecho para / Fabriqué pour Alera® / Essendant Co.  
 One Parkway North, Deerfield, IL 60015 © 2017 Essendant Co.  
 Made in / Hecho en / Fabriqué à Taiwan  
 Product support and parts : 1-800-733-4000  
 Ayuda del producto y partes / Support technique et pieces